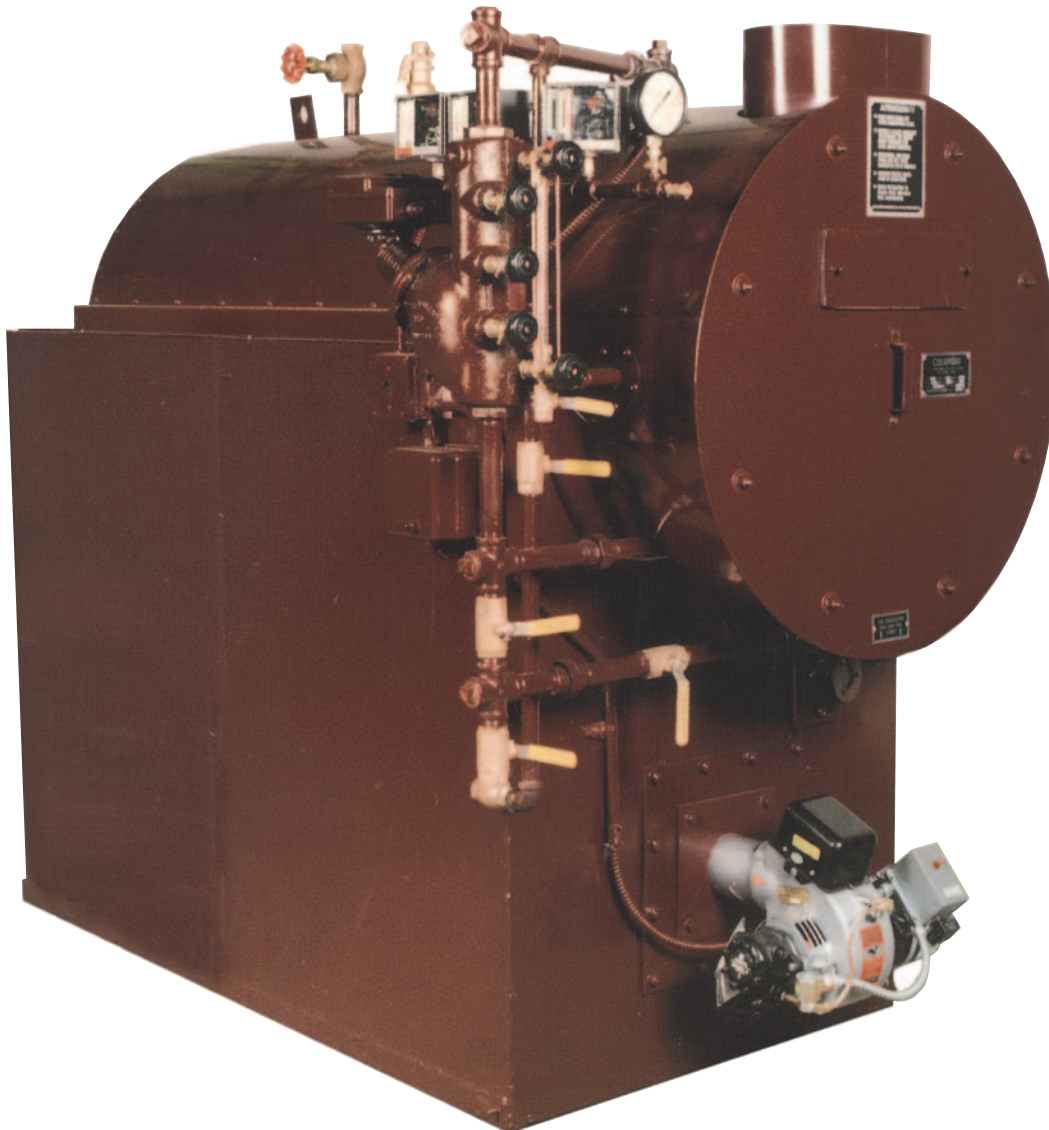


COLUMBIA

HRT20

Waste Oil Boiler
High Pressure Steam
15-150 psi



**WASTE OIL
BURNING
EQUIPMENT
& SERVICES
MEETS EPA
GUIDELINES
FOR ON-SITE
RECYCLING OF
USED OIL**

**LARGER BOILERS
AVAILABLE**

REAL BOILERS, built by BOILER MAKERS
Since 1936



You can do BETTER with Columbia
GOOD people. BETTER Boilers. BEST value.

www.columbiaboiler.com



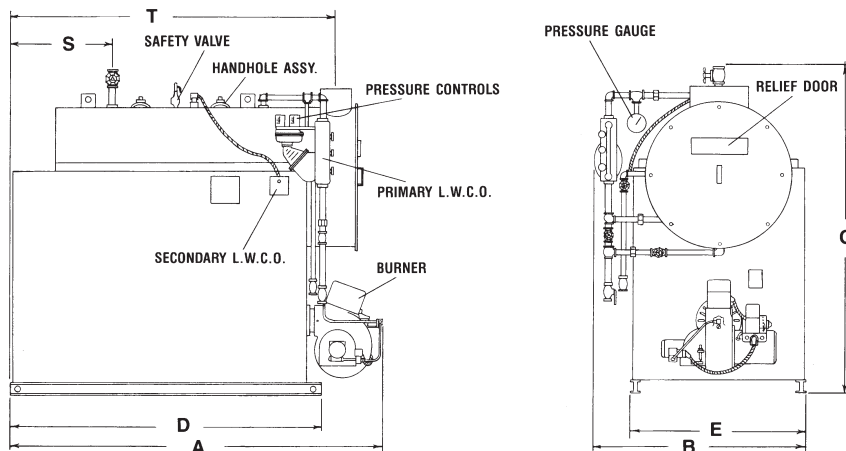
COLUMBIA HRT SERIES BOILERS

ARE USED IN . . .

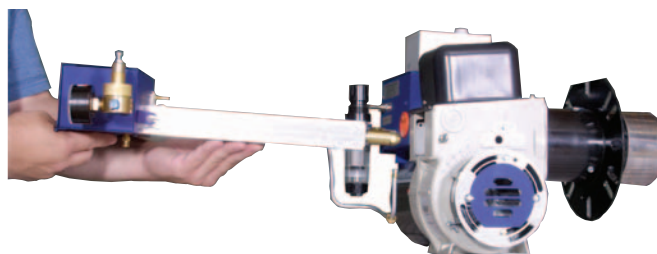
- INDUSTRIAL PROCESS STEAM APPLICATION
- DISTILLATION PROCESSES
- LARGE TANK HEATING
- BIODIESEL PRODUCTION
- COMMERCIAL BUILDING HEATING

YOUR LOCAL DISTRIBUTOR

BOILER HP RATING		20	
Waste Oil Firing Rate (max.)	gals./hr.	6.00	
Burner Input	MBTU/hr.	840	
Boiler Output	MBTU/hr.	672	
Steam/hr.	Lbs.	690	
Steam Pressure (max.)	psi	150	
Heating Surface	sq. ft.	120	
Normal Water Volume	gals.	68	
Steam Volume	gals.	80	
Total Heat Exchanger Volume	gals.	148	
PACKAGE BOILER	Length	A in.	90
	Width	B in.	47
	Height	C in.	74
	Floor Space	in.	8x13
MINIMUM DIMENSION	Length	D in.	84
	Width	E in.	37
	Height	in.	67
BASE DIMENSION	Length	in.	69
	Width	in.	37
	Height	in.	52
COMBUSTION CHAMBER	Volume	cu. ft.	9.3
Normal Water Line to Floor		in.	56
Center Line of Burner to Floor		in.	17
Stack Diameter, inches			12
Height from floor		in.	72
T in.			78 ^{3/4}
Steam Outlet Size		in.	1
Height from floor		C in.	76
S in.			26
Feed Water Inlet Size		in.	3/4
Blow Down Size		in.	1
Hand Hole	Top Shell	in.	3x3 ^{3/4}
Hand Hole	Front Head	in.	2 ^{3/4} x3 ^{1/2}
Approx. Shipping Wt.		lbs.	3900
Compressed air Requirements @ 40 psi			4 CFM
Electrical Requirements (all models): 115/60 15 Amp (220/50 7.5 AMP also available)			



RECYCLE YOUR USED CRANKCASE OIL, TRANSMISSION FLUID, HYDRAULIC FLUID, SYNTHETIC OILS, COOKING OILS AND GREASE, ALSO BURNS #1 AND #2 FUEL OIL



At the heart of all our waste oil boilers is the patented Shenandoah burner with its easy-to-clean patented slide-

out gun assembly and quick-disconnect. This industry-recognized and time-proven burner incorporates the latest flame control technology and high-voltage multi-try ignition.

HRT FEATURES

Completely assembled, piped, wired & factory tested with steam pressure gauge, extra large combustion chamber, oversized 2" fire tubes, 150 psi steam pressure, water level gauge, gauge cocks with ball checks, gauge glass protector assembly, steam safety valve, steam supply ball valve, boiler and water column blowdown valves, hand hole inspection plate assemblies, immersion feedwater pipe, jacket and 1" fiberglass insulation, combination low water cut-off and pump control, additional probe type low water cut-off with manual reset, steam pressure control, steam hi-limit pressure control with manual reset, waste oil burner with safety and operating controls, oil pump and filter kit, installation and maintenance manual.

America's Most Trusted Name in Waste Oil Burning Equipment & Services

COLUMBIA® BOILER COMPANY

P.O. Box 1070, Pottstown, PA 19464 • Phone (610) 323-2700 • Fax (610) 323-7292

www.columbiaboiler.com



A.S.M.E.
Construction

PRINTED IN U.S.A.
MIP-5013 4/05